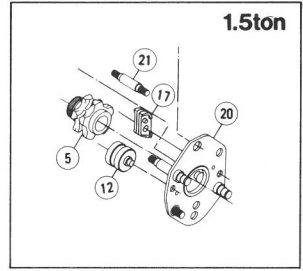
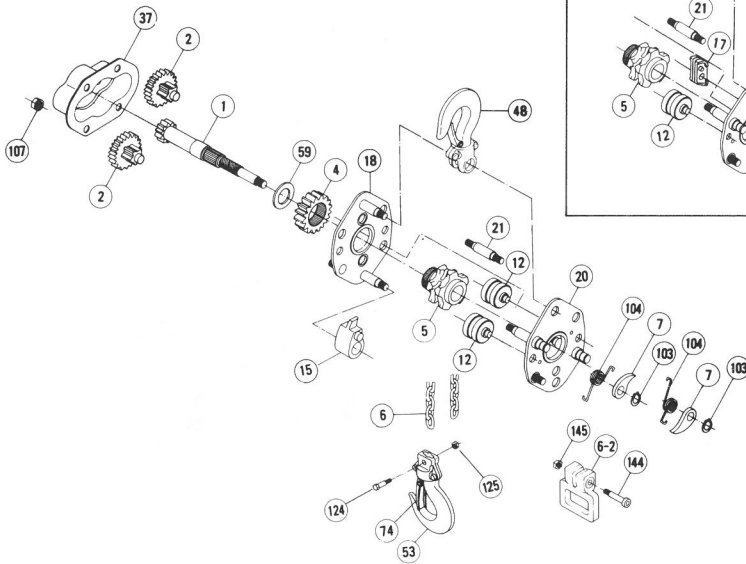
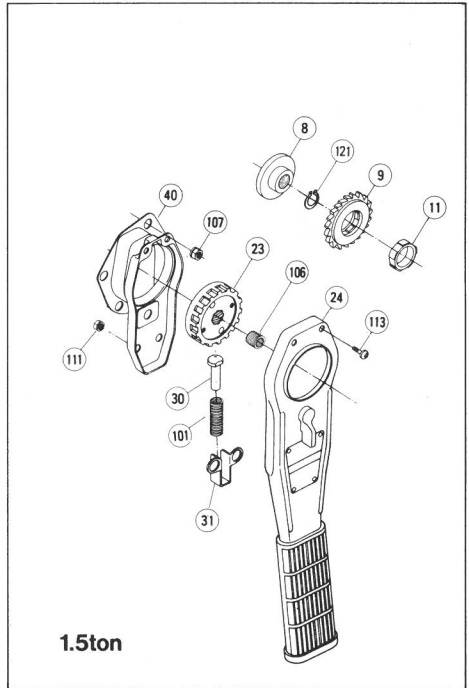
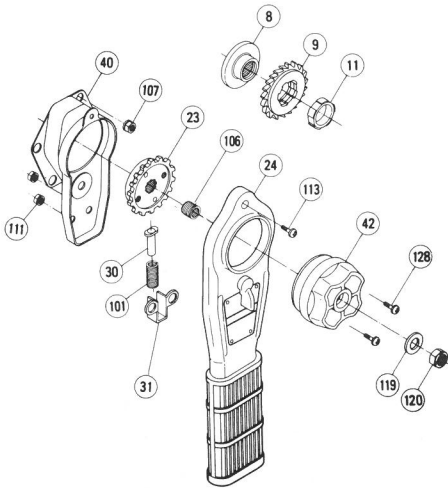


# 0.75ton

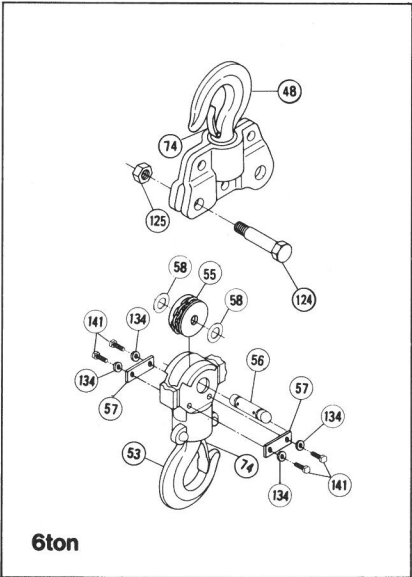
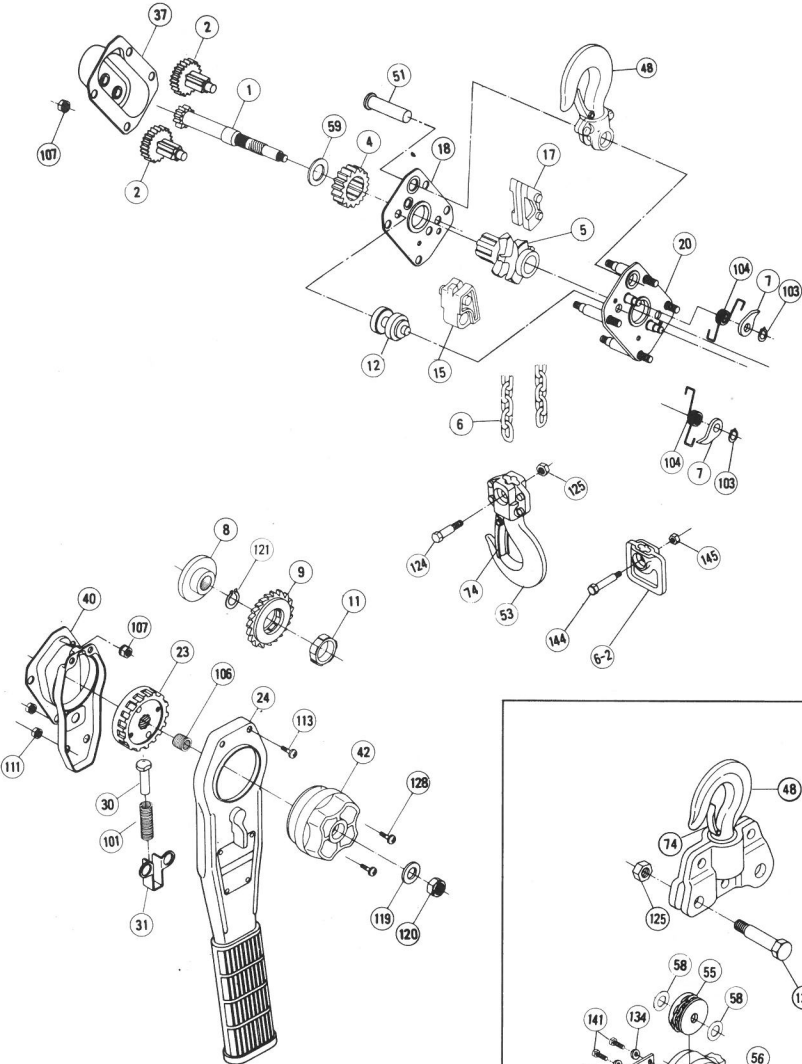


# 1.5ton



# 1.5ton

3ton



6ton

Index No.	Part name	Q'ty	0.75t Part No.	1.5t Part No.	3t Part No.	6t Part No.
1	Pinion shaft	1	IRB4001	KRB4001	NRB4001	
2	Pinion with pinion gear	2	IRB4002T	KRB4002T	NRB4002T	
4	Load gear	1	IRB4004	KRB4004	NRB4004	
5	Load sheave	1	IRB4005	KRB4005	NRB4005	
6	Load chain	1	T-5.6	V-7.1	V-9	
6-2	Stop grip	1	IRB40062	KRB40062	NRB40062	
7	Pawl	2	IRB4007		NRB4007	
8	Disc hub	1	IRB4008	KRB4008		
9	Ratchet wheel	1set	IRB4009	KRB4009		
11	interlocking ring	1	IRB4011	KRB4011		
12	Chain guide	( )	IRB4012A(2)	KRB4012A(1)	NRB4012(1)	
15	Stripper	1	IRB4015A	KRB4015A	NRB4015	
17	Chain guide	1	_____	KRB4017	NRB4017	
18	Gear-side plate	1	IRB4018A	KRB4018A	NRB4018	
20	Handle-side plate	1	IRB4020A	KRB4020A	NRB4020	
21	Stay bolt(D)	1	IRB4021	KRB4021	_____	
23	Disc nut	1	IRB4023	KRB4023		
24	Operating handle	1	IRB4024	NRB4024		
30	Spring shaft	1	IRB4030	IRB3030		
31	Shaft base	1	IRB4031	IRB3031		
37	Gear cover	1	IRB4037	KRB4037	NRB4037	
40	Ratchet cover	1	IRB4040T	KRB4040T	NRB4040T	
42	Guide handle	1	IRB4042			
48	Top hook assembly	1	IRB4048U	KRB4048U	NRB4048U	QRB4048U
51	Yoke pin	1	_____	NRB4051		
53	Bottom hook assembly	1	IRB4053U	KRB4053U	NRB4053U	QRB4053U
55	Chain wheel	1	_____	QRB4055		
56	Wheel pin	1	_____	QRB3056		
57	Key plate	2	_____	QRB3079		
58	Wheel washer	2	_____	HH4100083		
59	Pinion shaft washer	1	IRB4059		NRB4059	
74	Safety latch assembly	2	JHH5074T	KHH5074T		HH4060074T
101	Change-over spring	1	IRB4101	IRB3116		
103	Snap ring	2	SRC51010		SRC51012	
104	Pawl spring	2	IRB4104	KRB4104	KHH5010	
106	Free-wheeling spring	1	IRB4106	KRB4106	NRB4106	
107	Spring nut	8	HSNM8		HSNM10	
111	Spring nut	2	HSNM6	HSNM8		
113	Screw & spring washer	( )	CMSM6×10S2(1)	CMSM6×10S2(2)		
119	Flat washer	1	IRB4136			
120	Lock nut	1	HNNM8			
121	Snap ring	1	_____	SRC51015		
124	Chain fastening bolt	1	IRB4124	KHH5048	NRB4124	QRB4124
125	Lock nut	1	HUN1M6	HUN1M8	HUN1M10	HNNM10
128	Screw & spring washer	2	CMSM6×25S2			
134	Spring washer for141	4	_____			
141	Hexagon bolt	4	_____			
144	Socket bolt	1	CBM6×35	CBM8×50	LHH5048	
145	Lock nut	1	HNNM6	HNNM8	HNNM8	